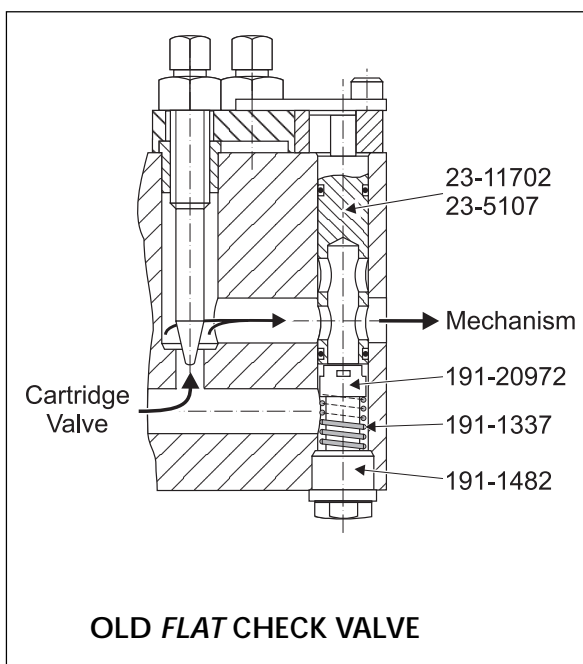
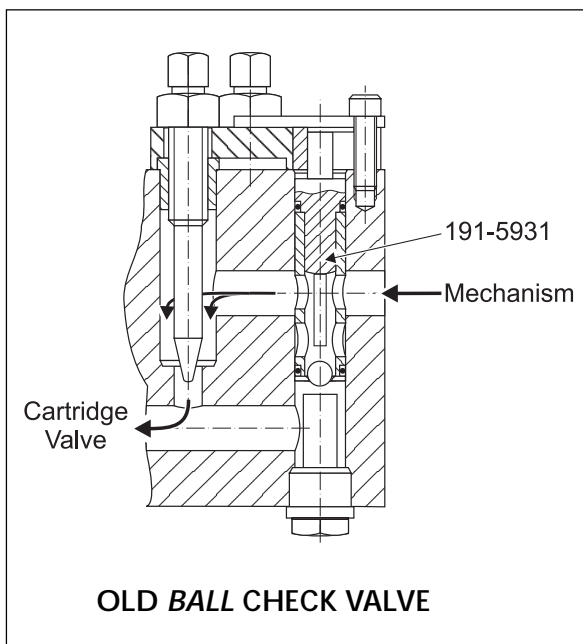


Technical News

Bulletin

Cham, May 1999 Rev. A

New generation Check Valves for the Electro-pneumatic Valve Block



Description

For enhanced performance a new generation of check valves was designed, which replace the current Ball and Flat check valves. Featuring a high-tech, lightweight ceramic ball instead of the two times heavier steel ball, results in less impact (wear), considerably faster response time and increased service life.

With the unique design of the **check valve (out) 200-111**, which replaces the *old type ball check valve*, the ceramic ball is kept in a stable position during air flow, preventing any vibration.

The **check valve (in) 200-125** which replaces the *old type flat check valve*, is also equipped with a ceramic ball and uses the same design concept as the well proven check valves in the new Emhart Glass twist mechanisms. The one-piece design simplifies exchangeability from the top of the electro-pneumatic valve block.

Application Range

The new check valves are applicable on all Electro-pneumatic Valve Blocks (EPVB: 191-7410 resp. 200-255), replacing the previous ball and flat check valves as indicated overleaf and in the ordering information below.

Performance characteristics

Compared to the previous check valves the air throughput of check valve 200-125 is increased by 50% whereas the air throughput of check valve 200-111 is increased by 12%. Air leakage is significantly reduced.

Features

- one-piece design
- lightweight, high-tech ceramic ball
- easily distinguishable by their different head types

Benefits

- simplified installation
- faster dynamic response
- increased air throughput
- longer lifetime

Ordering information and Installation requirements

Old ball check valve		New check valve "OUT"
Ball check valve	191-5931	Replacement kit
Stud	191-1482	• Check valve (OUT)
		• Stud
		200-10029
		200-111
		200-481
Old flat check valve		New check valve "IN"
Flat check valve, consisting of:		Flat check replacement kit
- Plug resp.	23-11702	• Check valve (IN)
Plug	23-5107	
- Flat check valve	191-20972	
- Spring	191-1337	
Stud	191-1482	• Stud
		200-10029

Note: Old studs 191-1482 must be replaced by the **new studs 200-10029**.
The new studs are shorter to ensure they do not interfere with the bottom of the new check valves and optimize the air flow.

Availability

The new check valves are available immediately. Electro-pneumatic Valve Blocks 200-255 supplied starting **December 1998** have the new type check valves installed.

Instead of the old Ball check valve 191-5931 the new Ball check replacement kit 200-481 (valve 200-111) will be supplied.

The old Flat check valves (*as listed above*) will be available until 2002 as spare parts only!